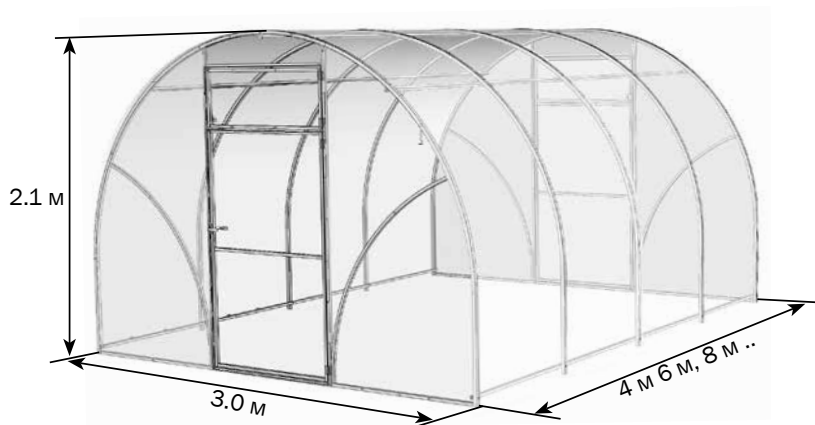
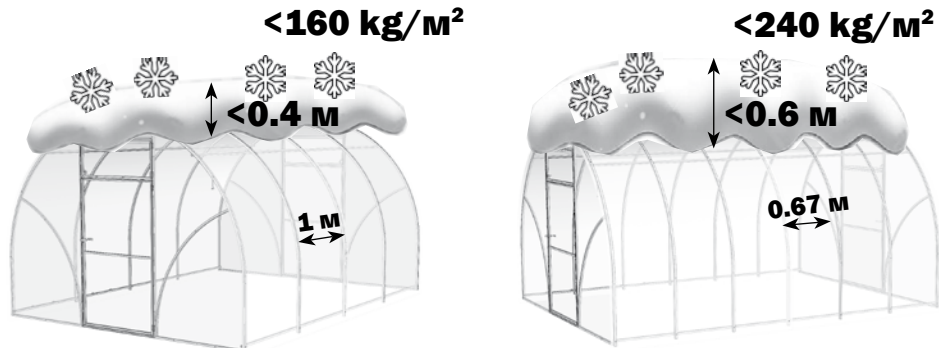
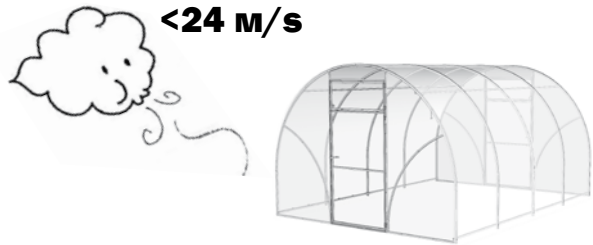
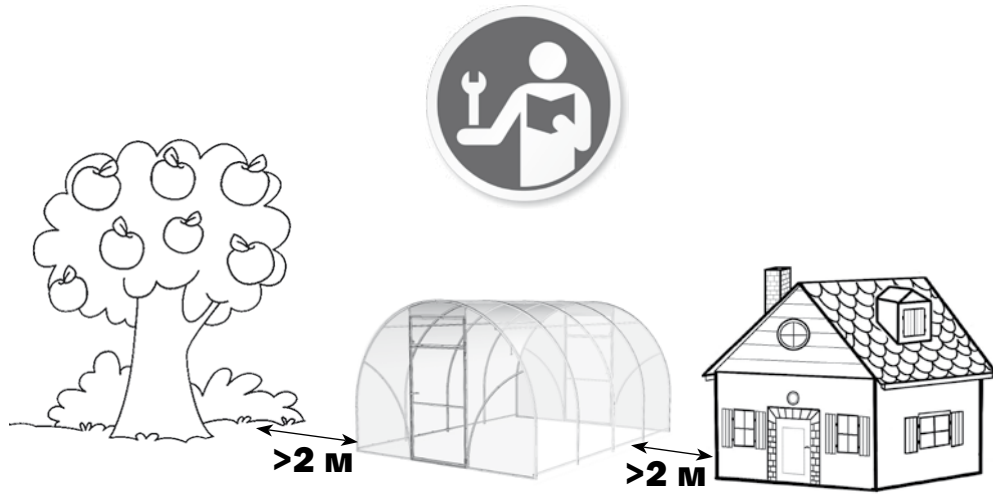
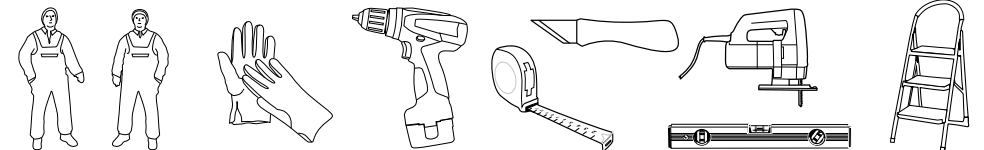




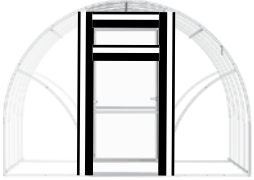
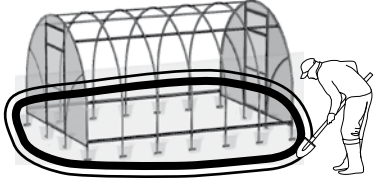
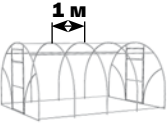
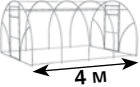
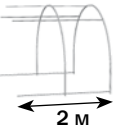

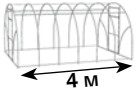
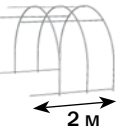
Betta-C (2023)

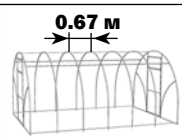
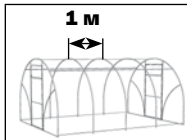
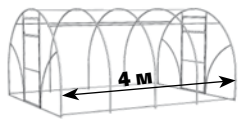





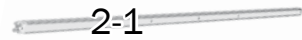
L	0	x 3
4 M	x 1	x 4
6 M	x 2	x 5
8 M	x 3	x 6
10 M	x 4	x 7
12 M	x 5	x 8
14 M	x 6	x 9
16 M	x 7	x 10
18 M	x 8	x 11



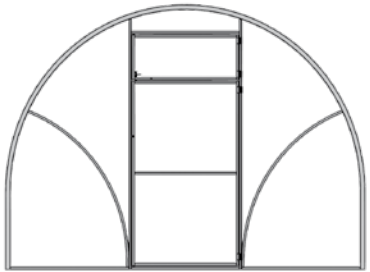
															
		№1	№2	№3	№4 1 M	№4 0.67M	№5 1 M	№6	№7 1M	№7 0.67M					
											№8*	№9* 1 M	№9* 0.67 M	№10* 1 M	№10* 0.67 M
		+	+	+	+						+	+			
							+	+	+					+	
		+	+	+		+		+			+		+		
				+			+			+					+



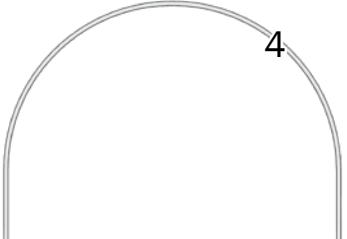
№ 1

1		x 5
2		x 5






№ 2

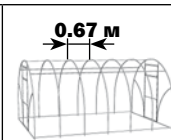
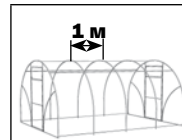
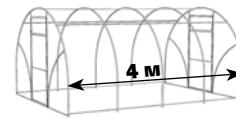
3		x 2
---	-----------------------------------------------------------------------------------	-----





№ 3

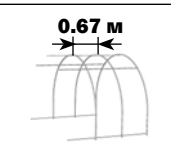
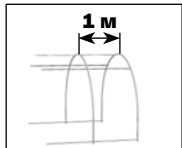
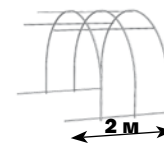
4		x 3
---	------------------------------------------------------------------------------------	-----

№ 4

5		x 25	x 35
6		x 270	
7		x 29	x 39
8		x 8	
9		x 25	x 35



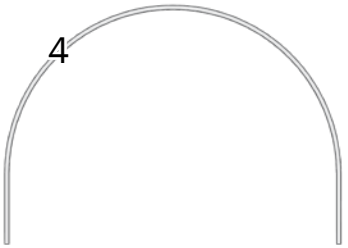
10		x 2
11		x 2
12		x 2
13		x 1







№5

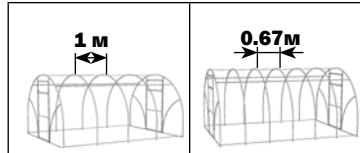
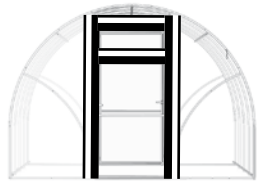
14		x 5
----	-------------------------------------------------------------------------------------	-----

№6

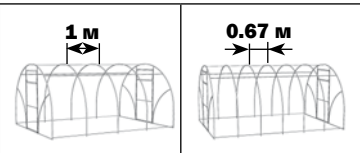
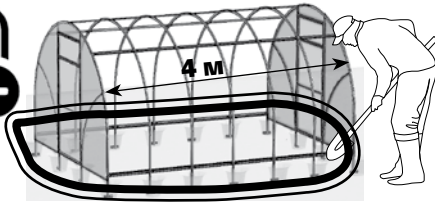
15		x 2
----	--------------------------------------------------------------------------------------	-----

№7

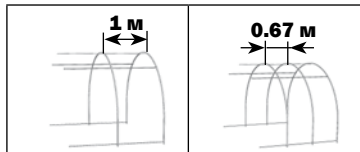
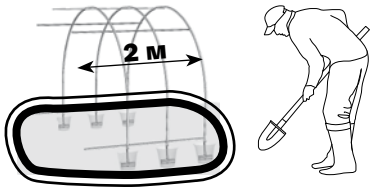
16		x 10	x 15
17		x 32	x 34
18		x 10	x 15
19		x 10	x 15

**№ 8***

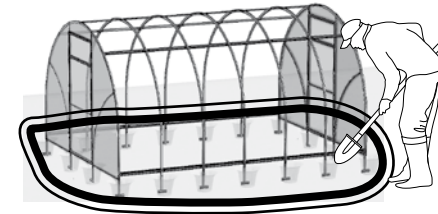
1		0.75 m	x 2
2		0.75 m	x 2
3		0.75 m	x 2
4		0.75 m	x 2
5		0.41 m	x 2
6		0.41 m	x 2
7		0.85 m	x 4

**№ 9***

1		0.3 m	x 10	x 14
2		0.3 m	x 4	
3		0.2 m	x 14	x 18

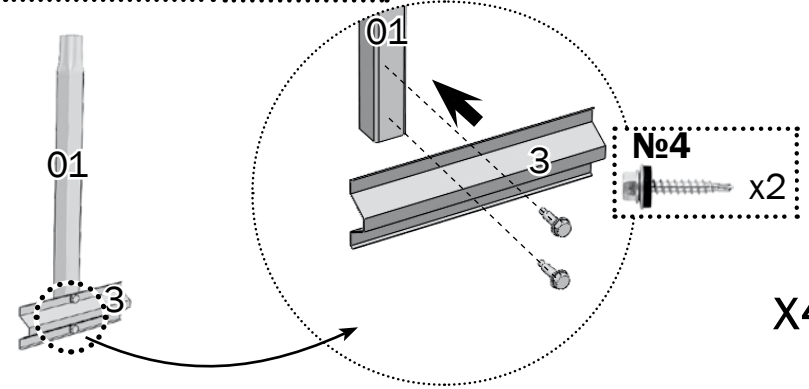
**№ 10***

1		0.3 m	x 4	x 6
3		0.2 m	x 4	x 6

***1**

№9*
01 x1

№9*
3 x1

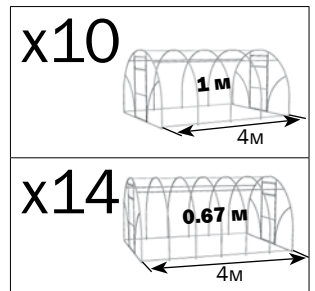
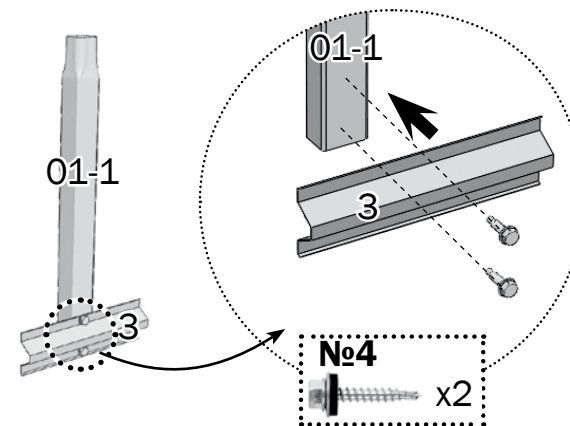


x4

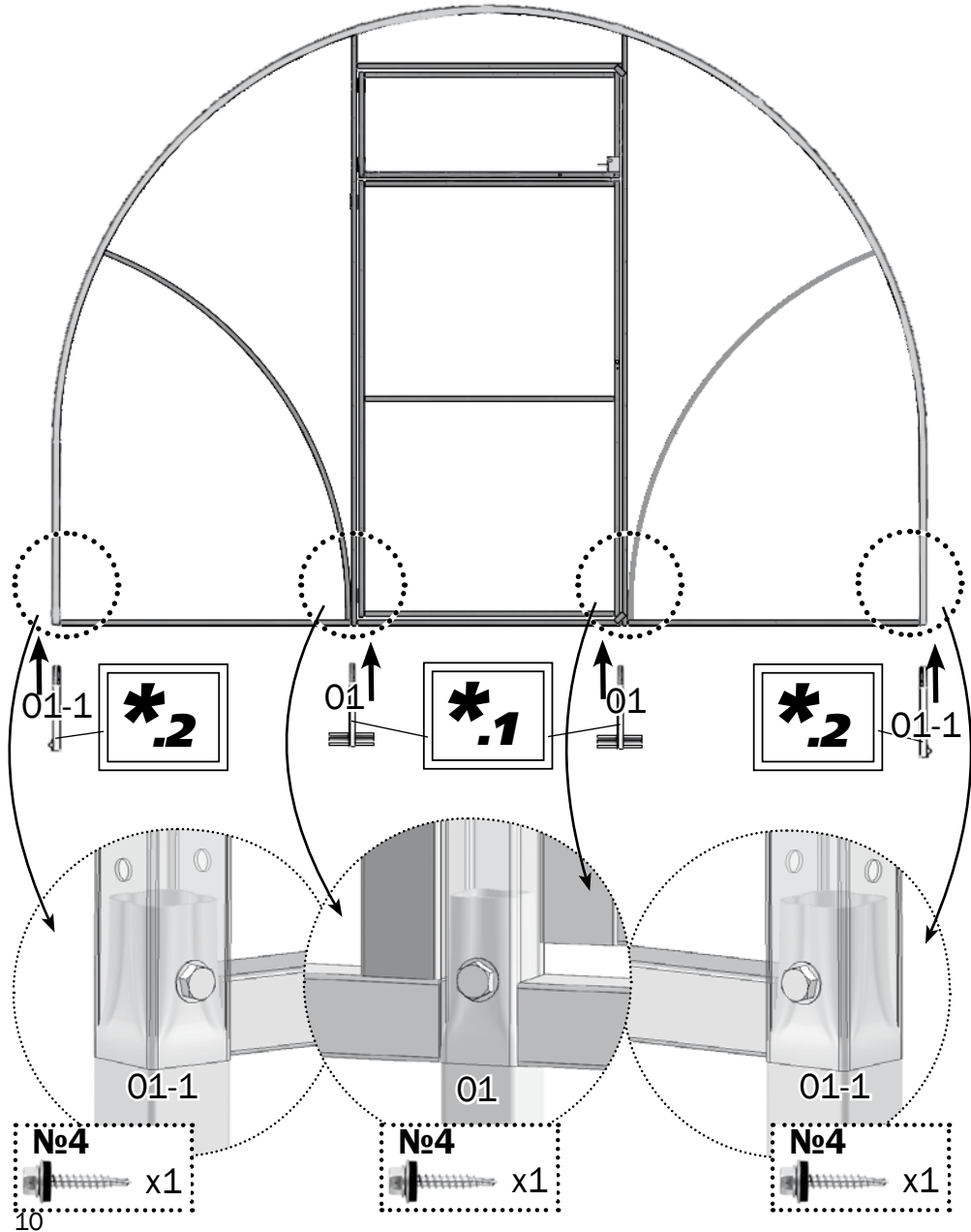
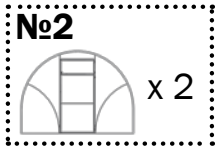
***2**

№9*
01-1 x1

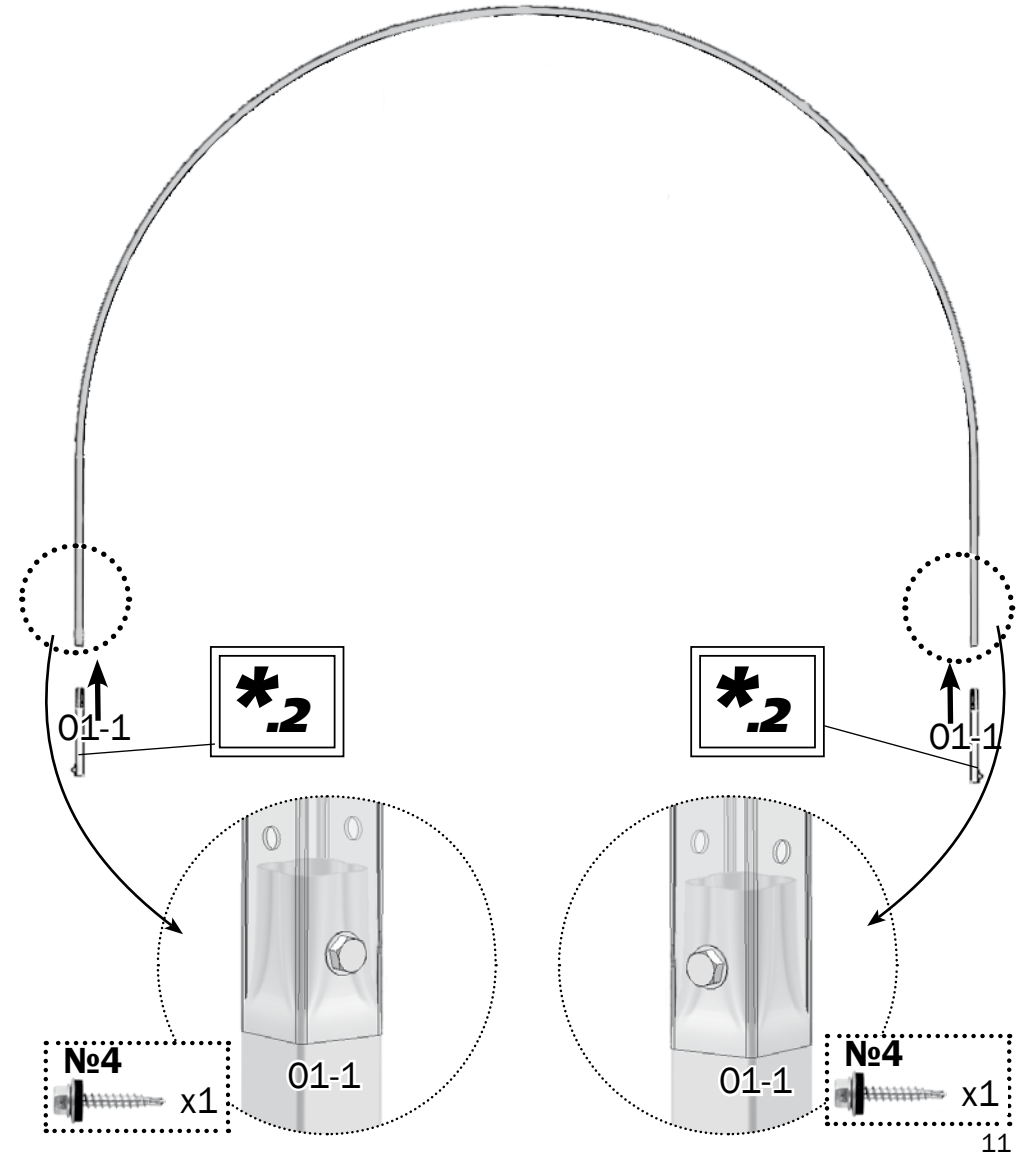
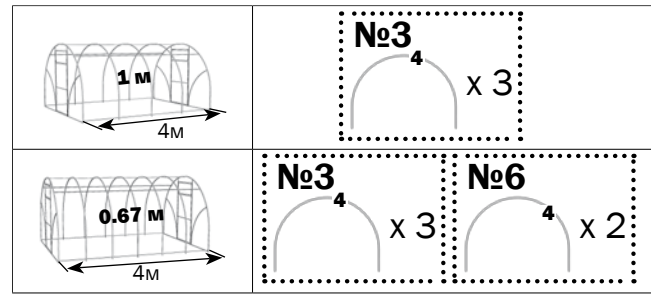
№9*
3 x1



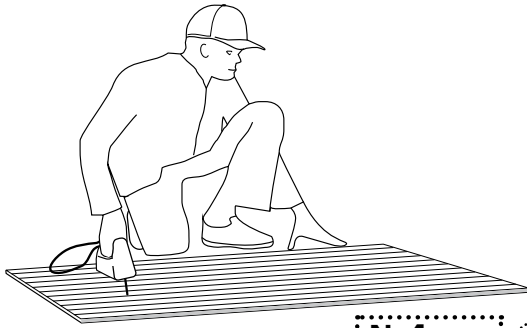
***3**



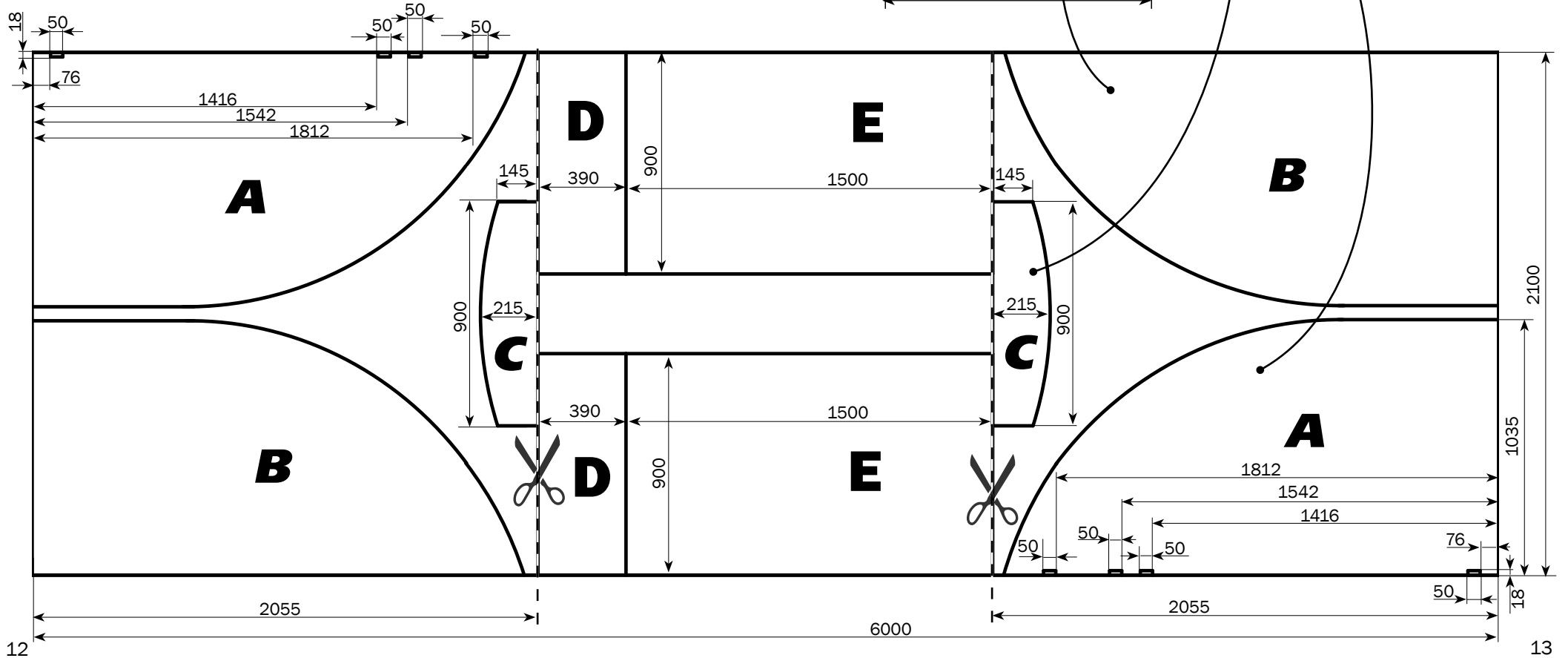
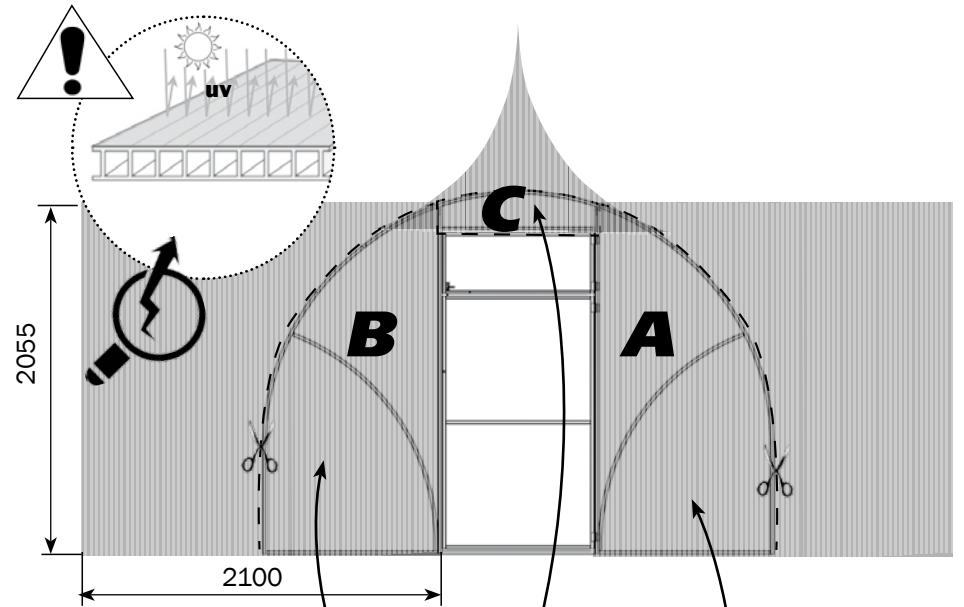
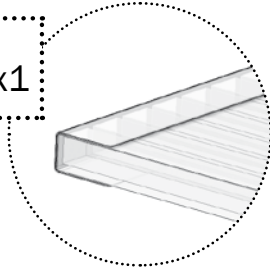
***4**



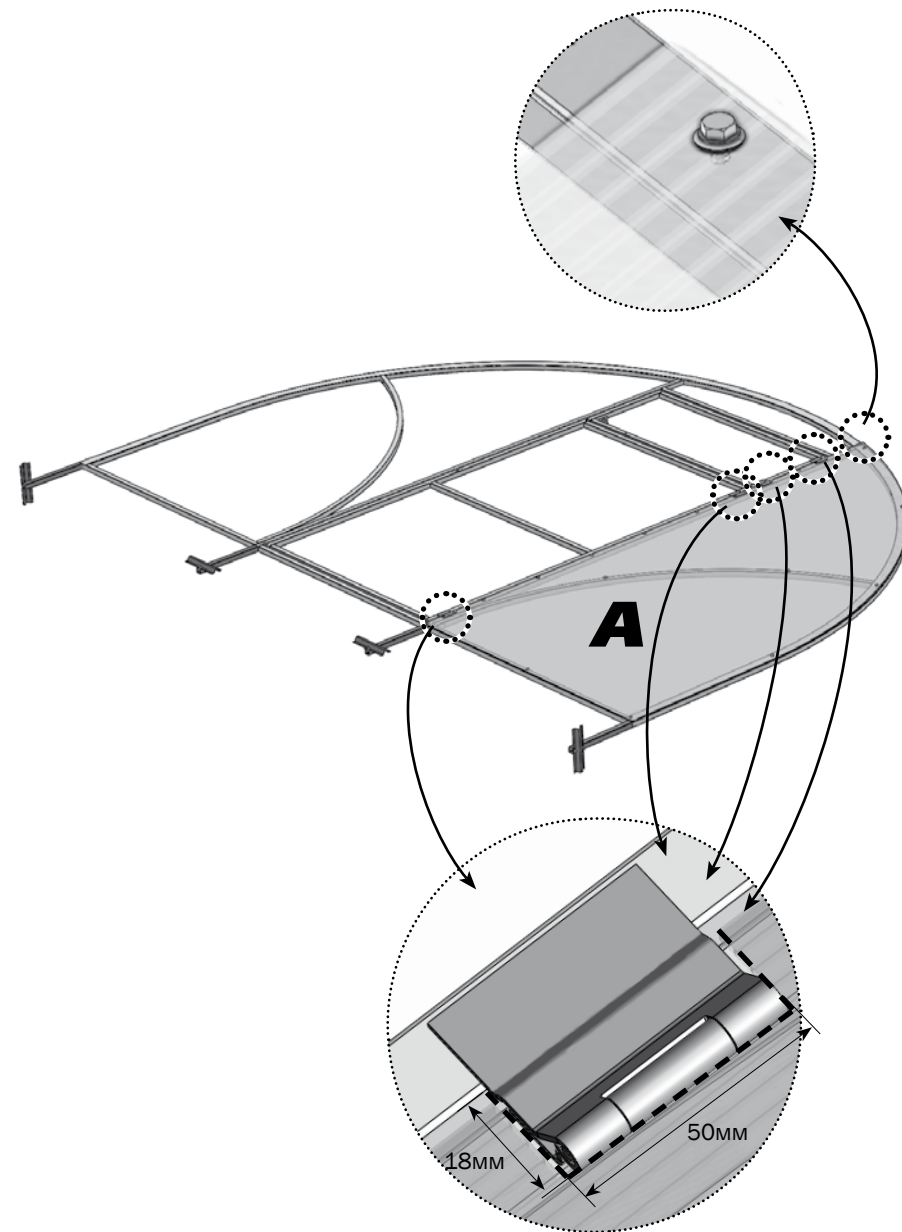
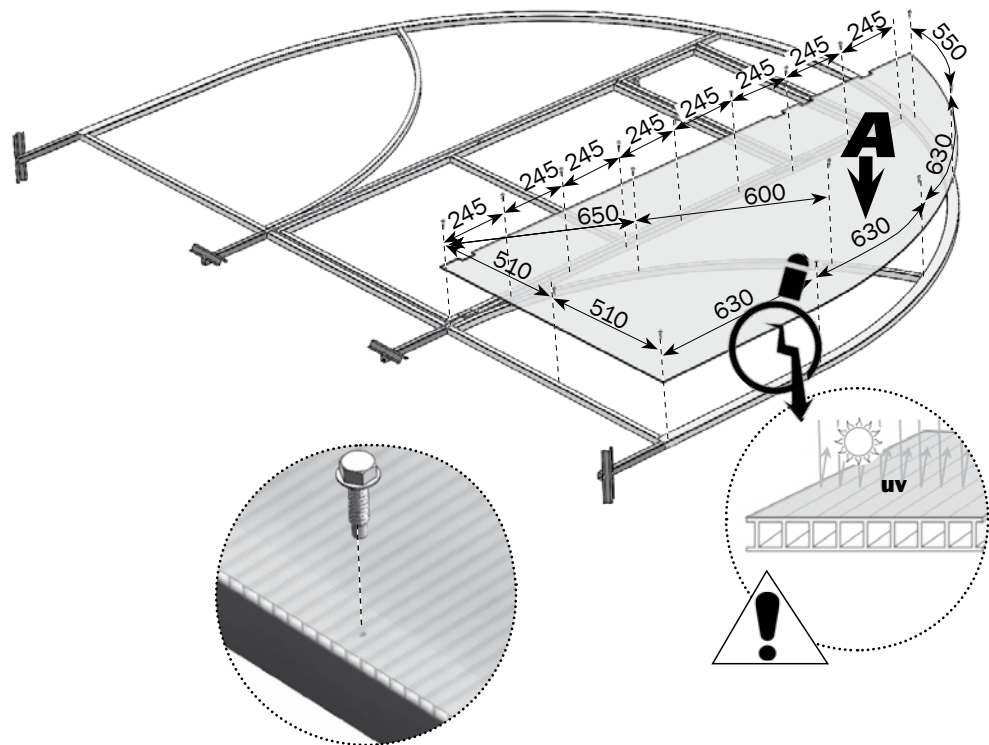
1



№4
x1

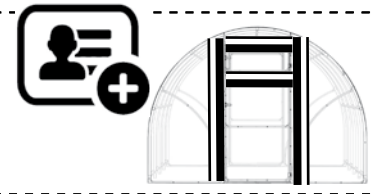
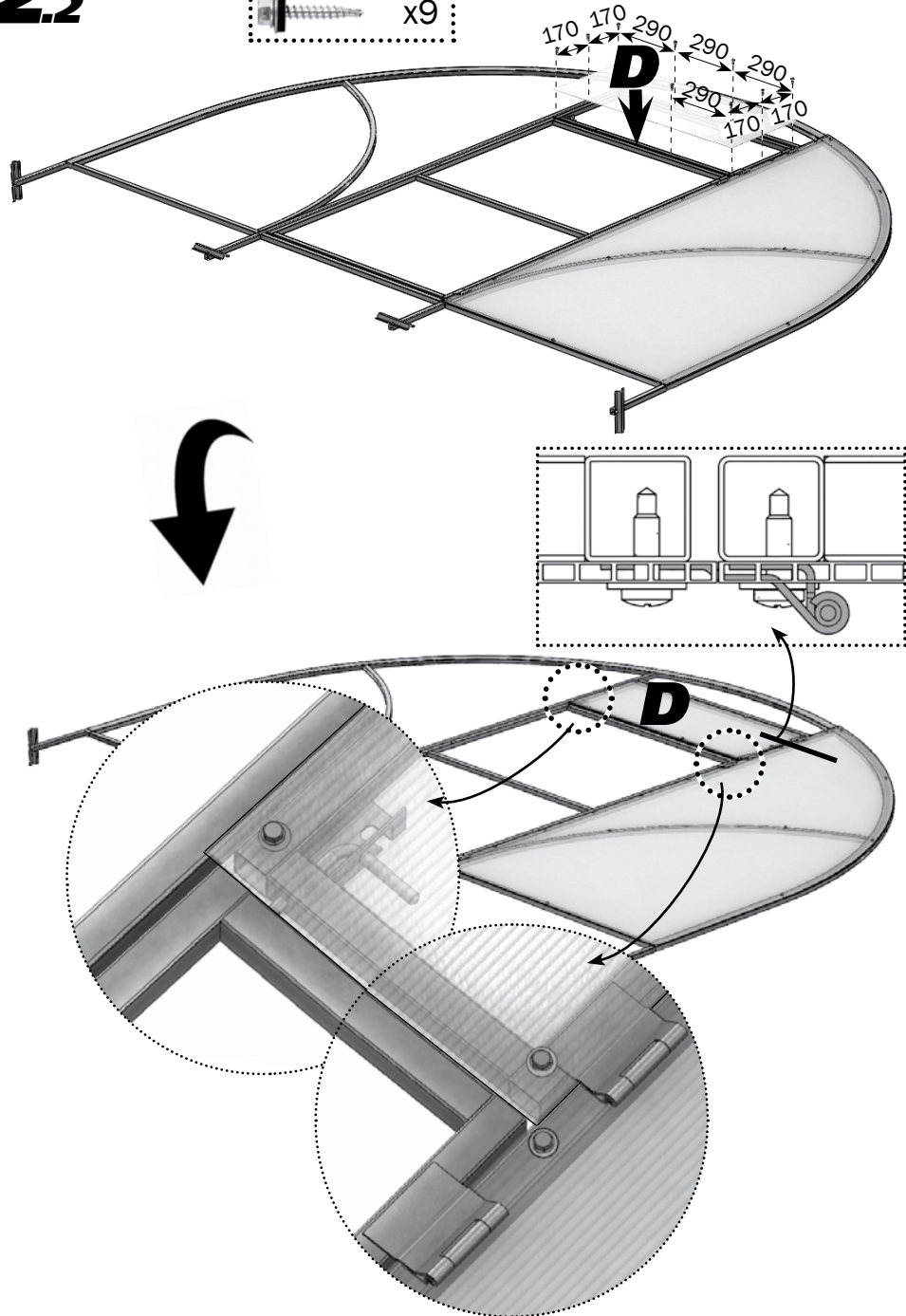


2.1



2.2

№4 x9

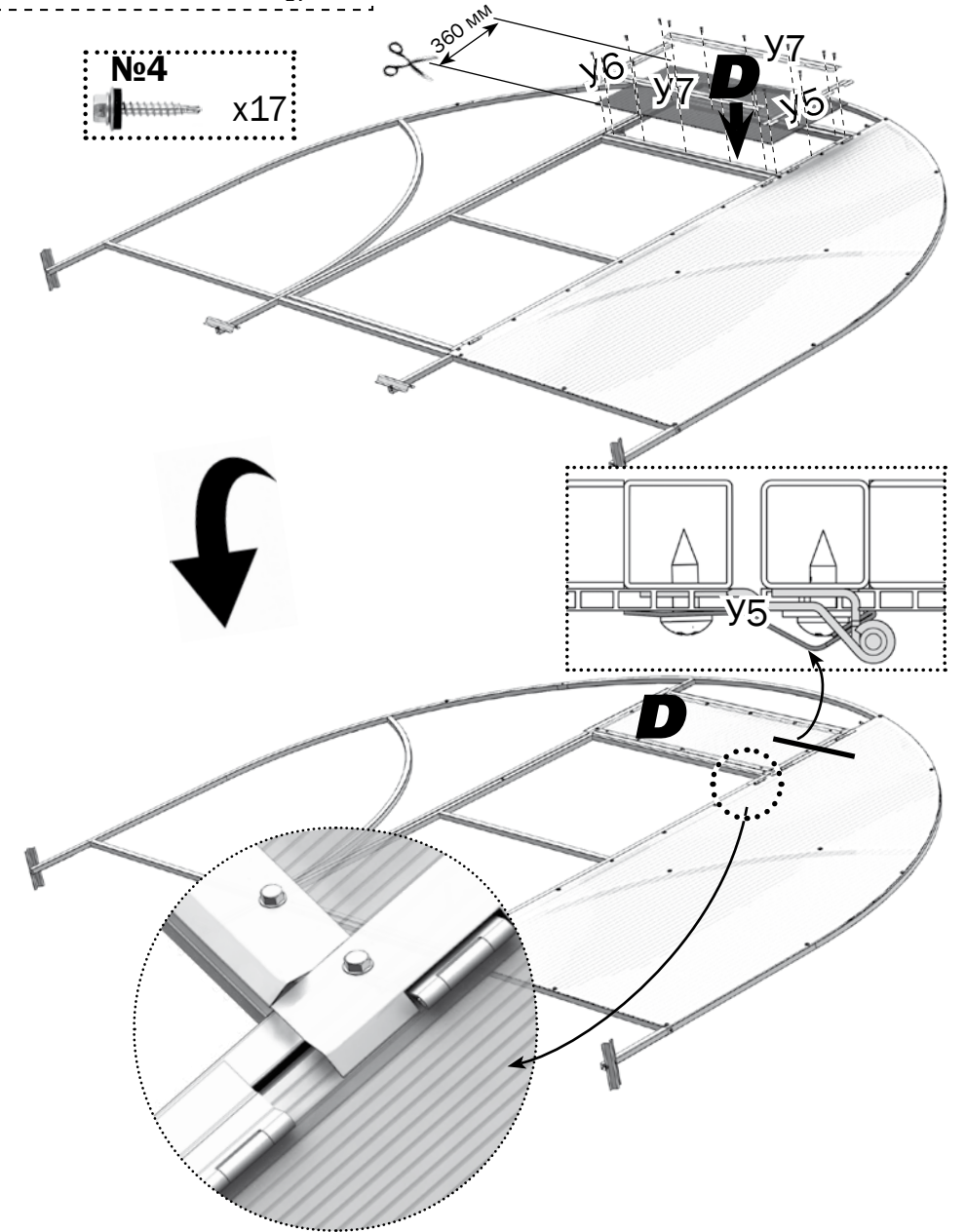


№8* y5 x1

№8* y7 x2

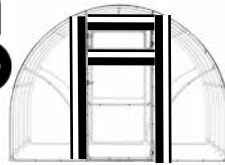
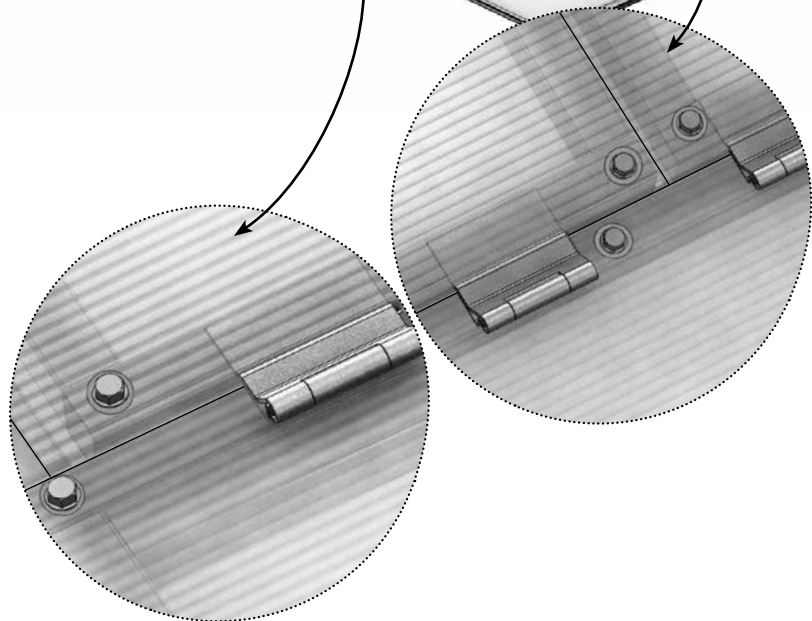
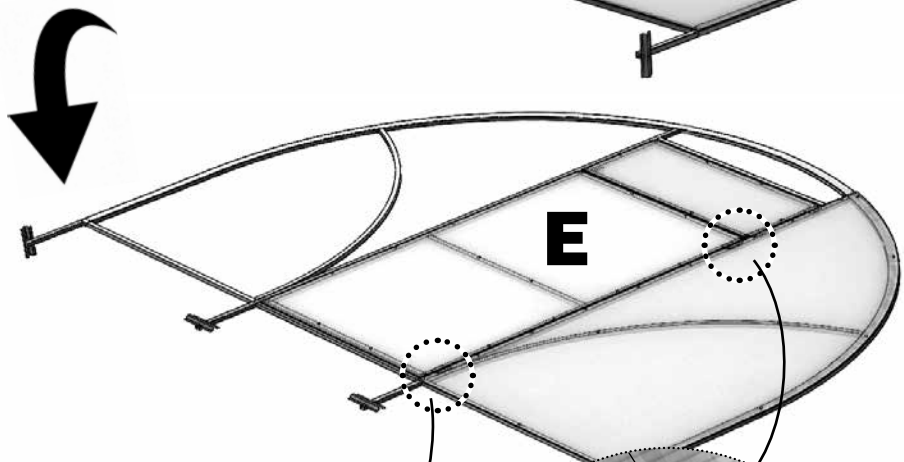
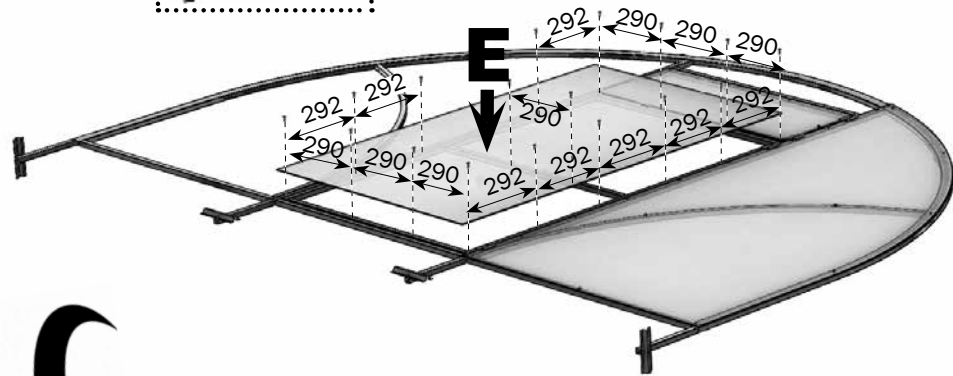
№8* y6 x1

№4 x17



2.3

№4 x17



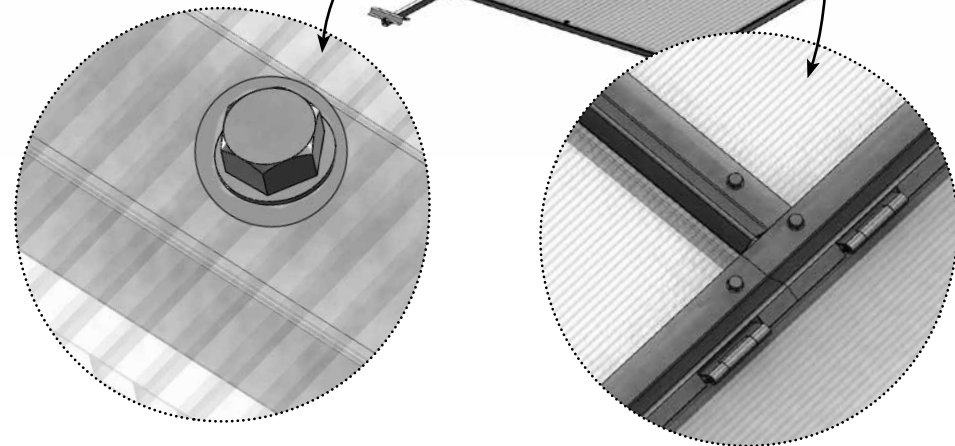
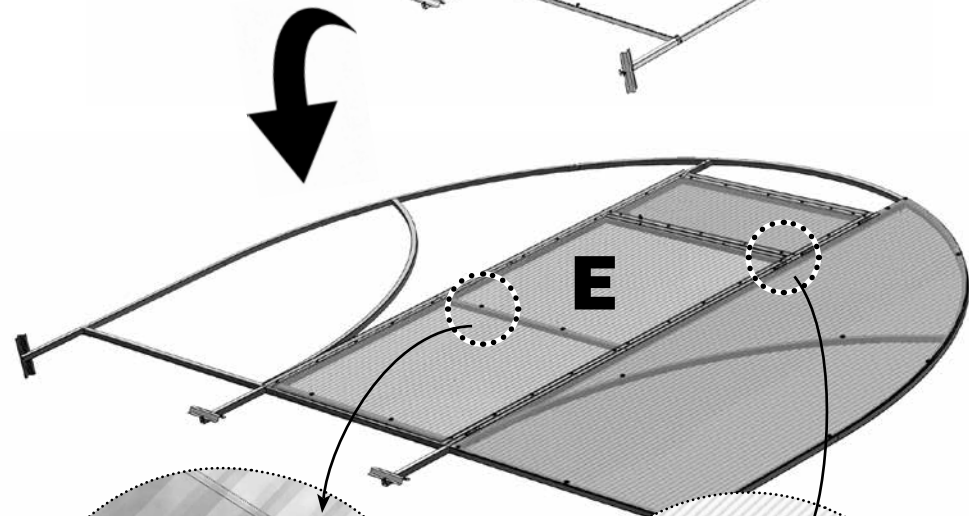
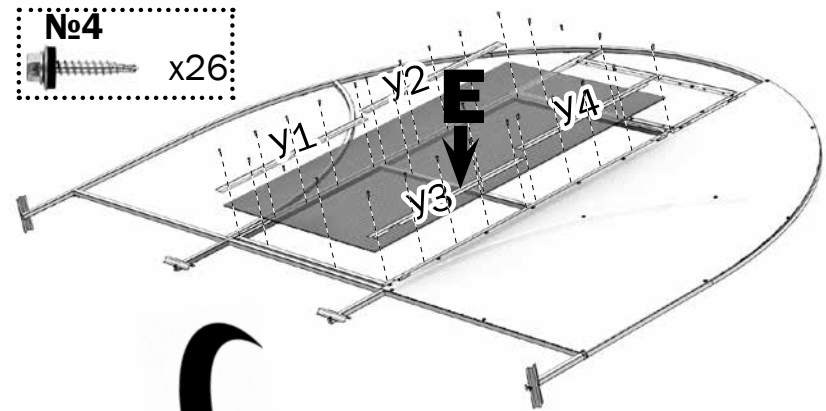
№8* y1 x1

№8* y2 x1

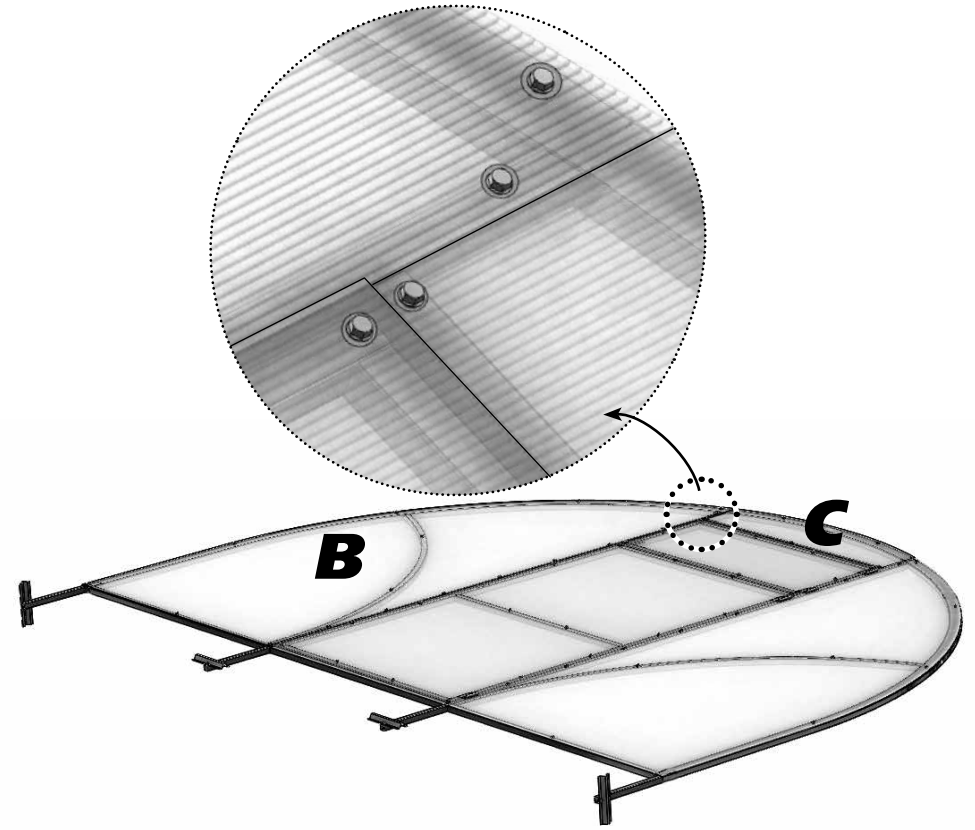
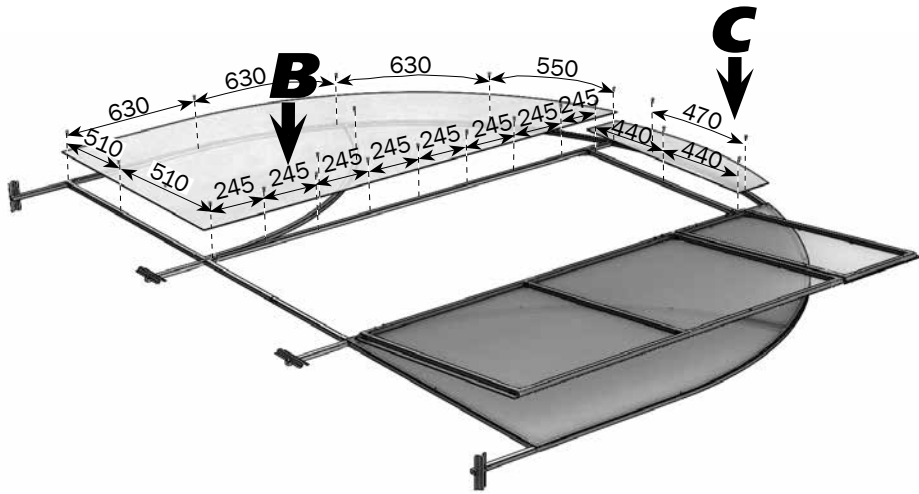
№8* y3 x1

№8* y4 x1

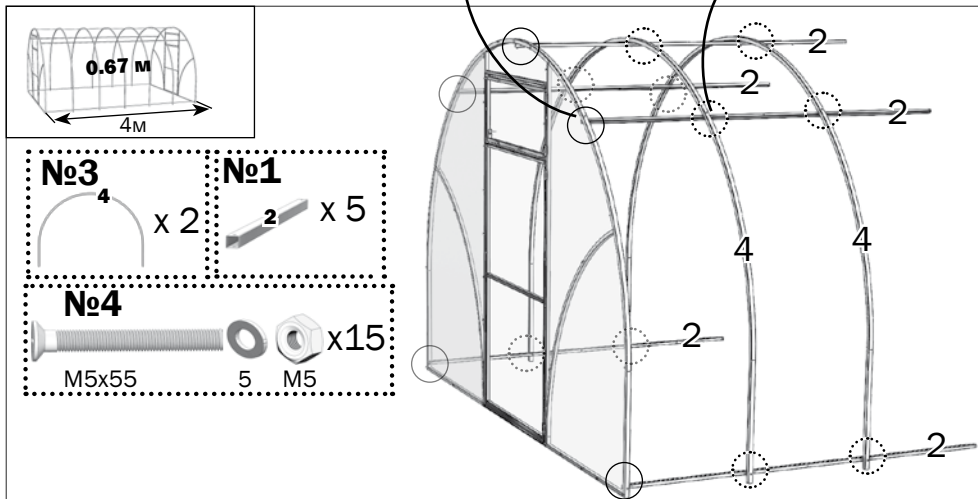
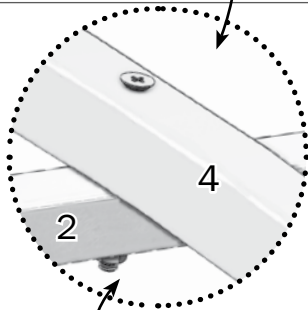
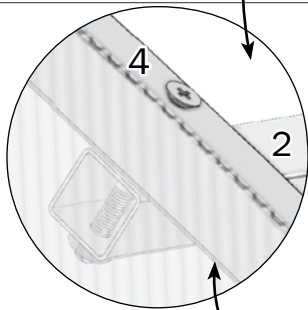
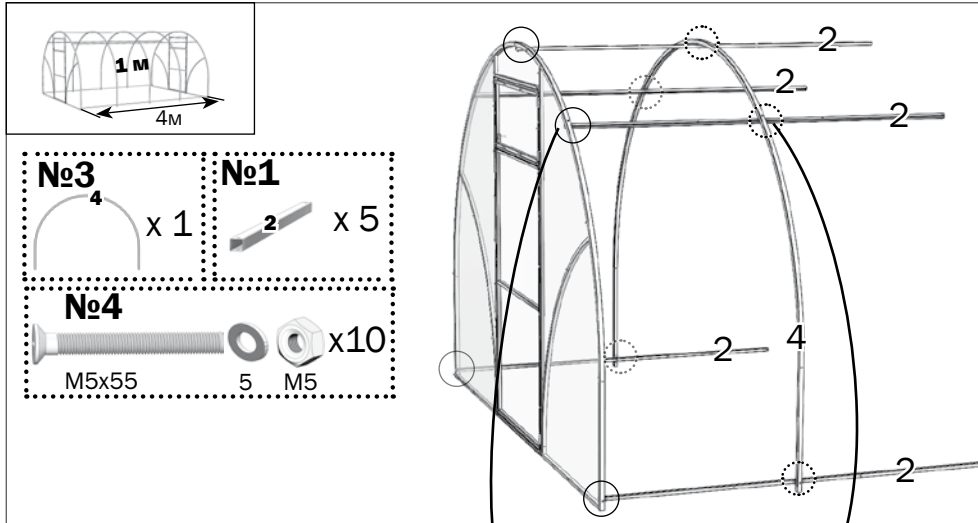
№4 x26



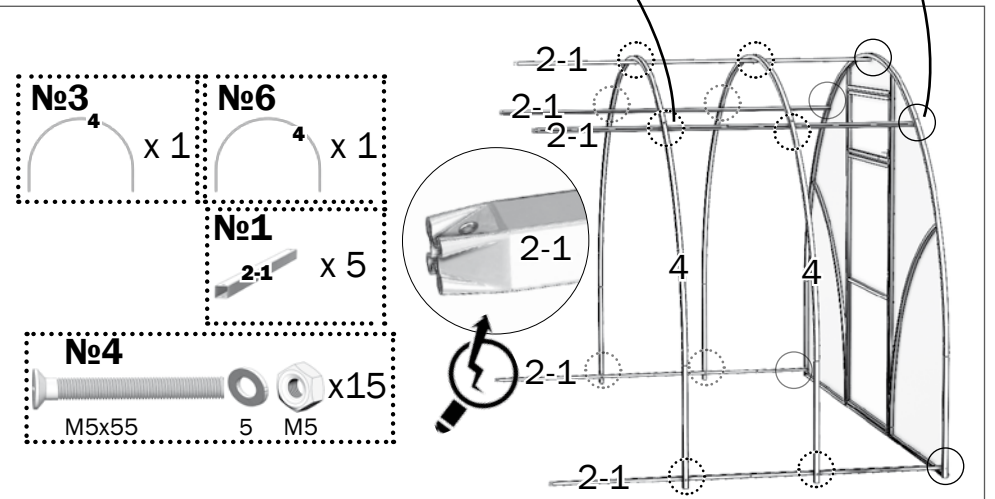
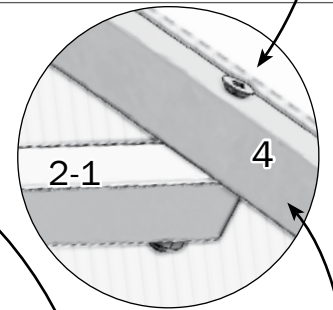
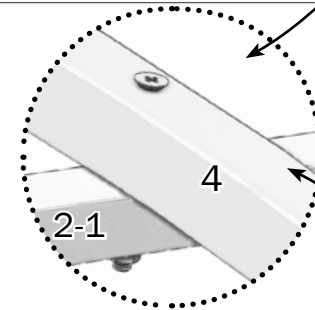
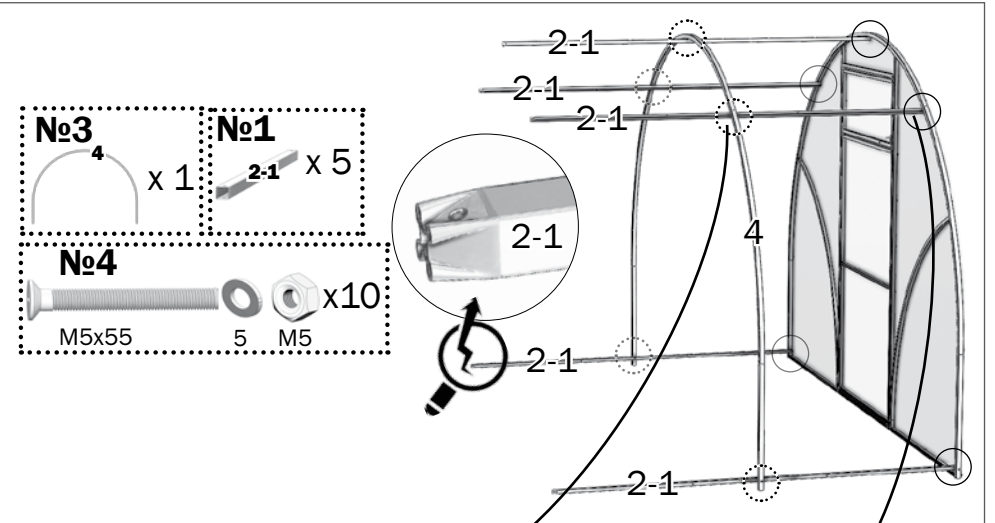
2.4



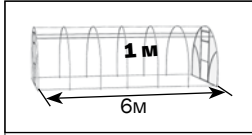
3.1



3.2



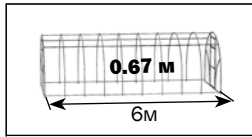
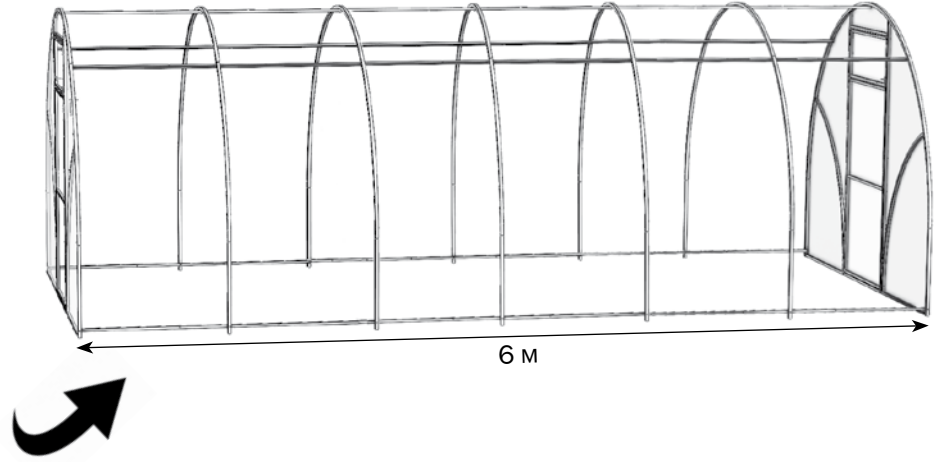
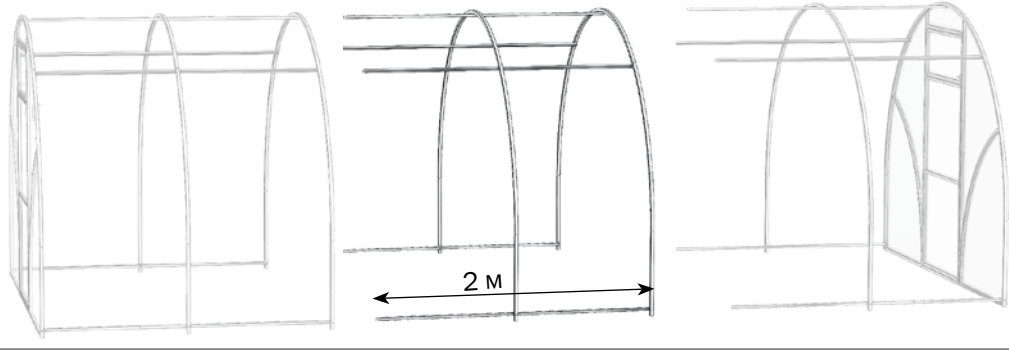
3.3



№6
4 x 2

№5
2-1 x 5

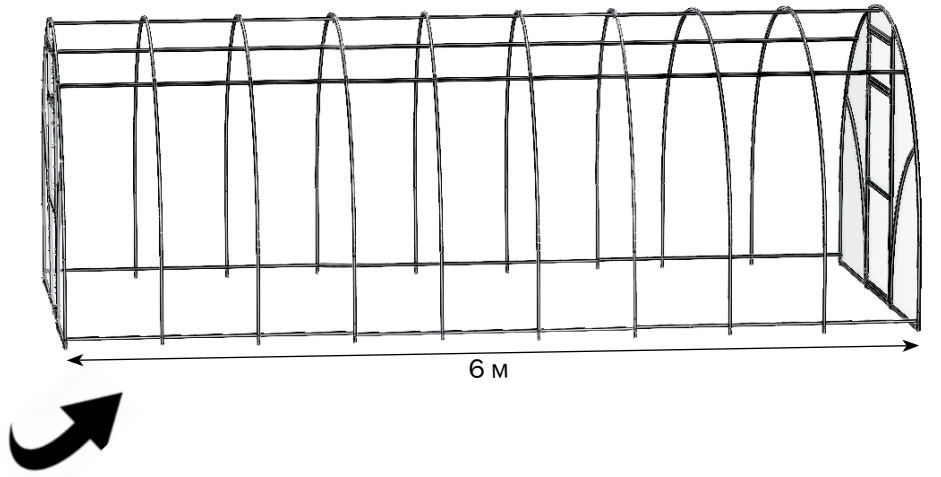
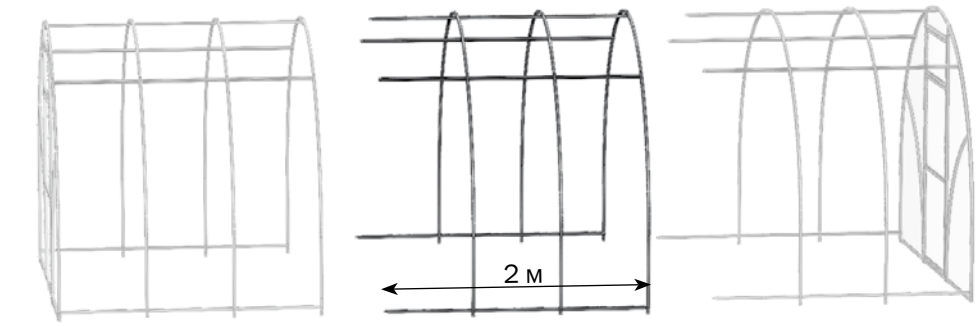
№4
M5x55 5 M5 x10



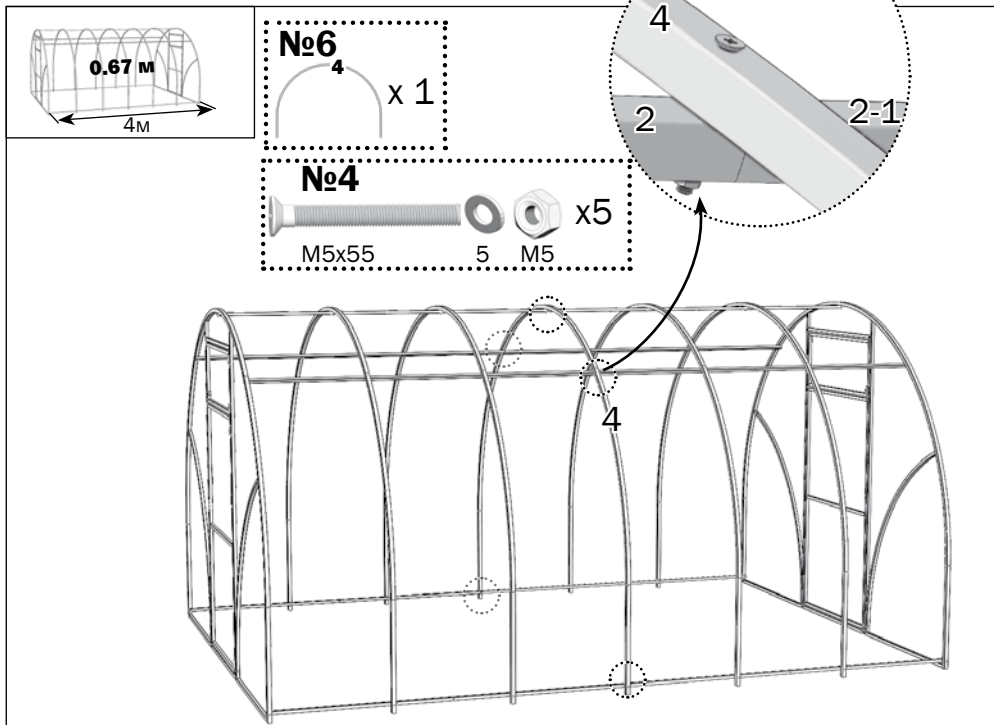
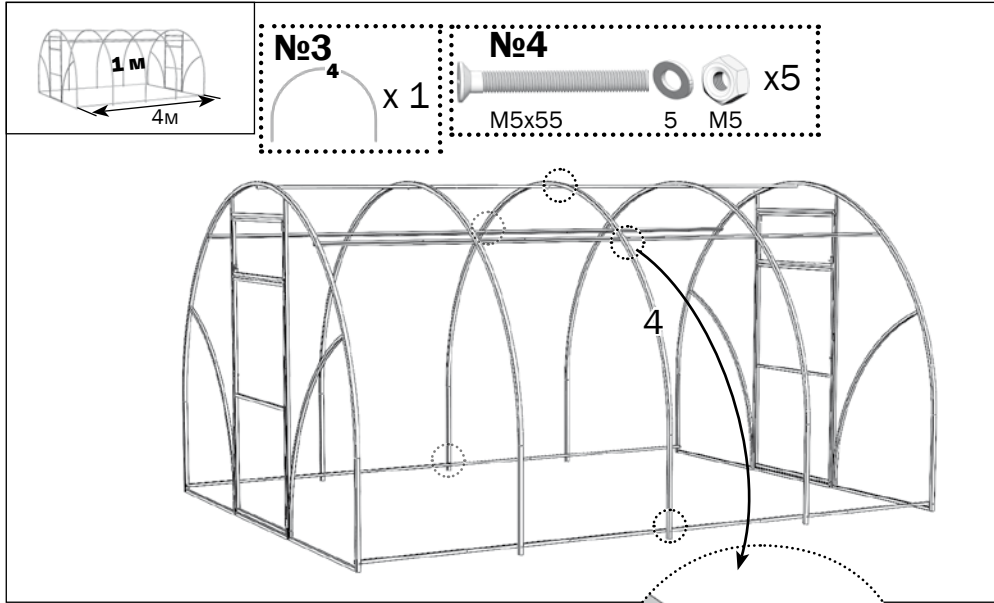
№3
4 x 3

№5
2-1 x 5

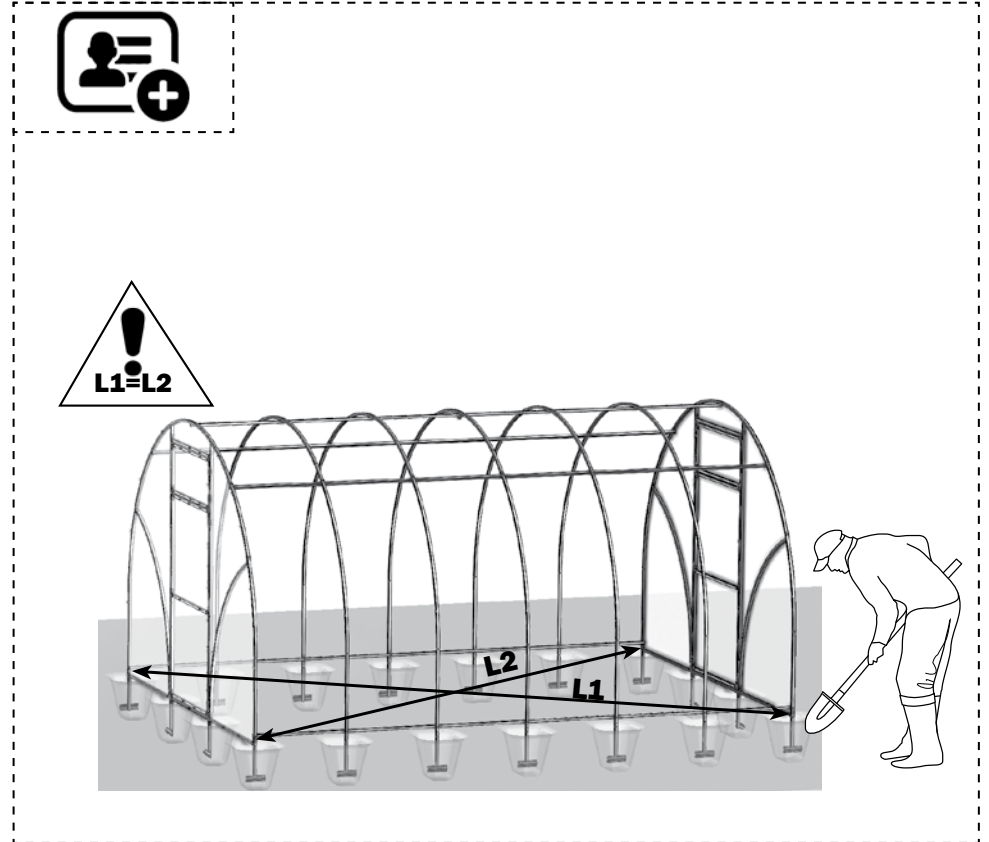
№4
M5x55 5 M5 x15



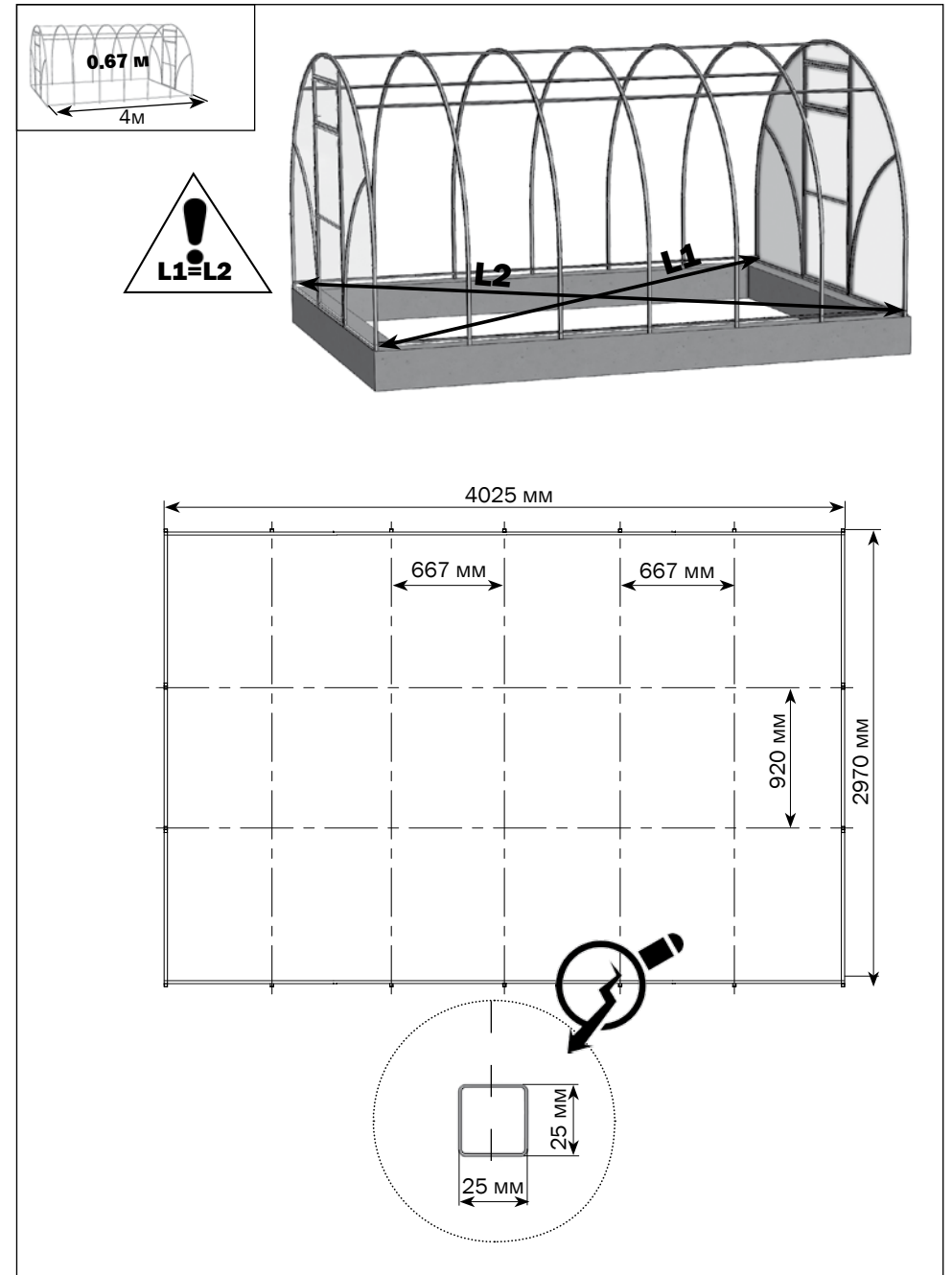
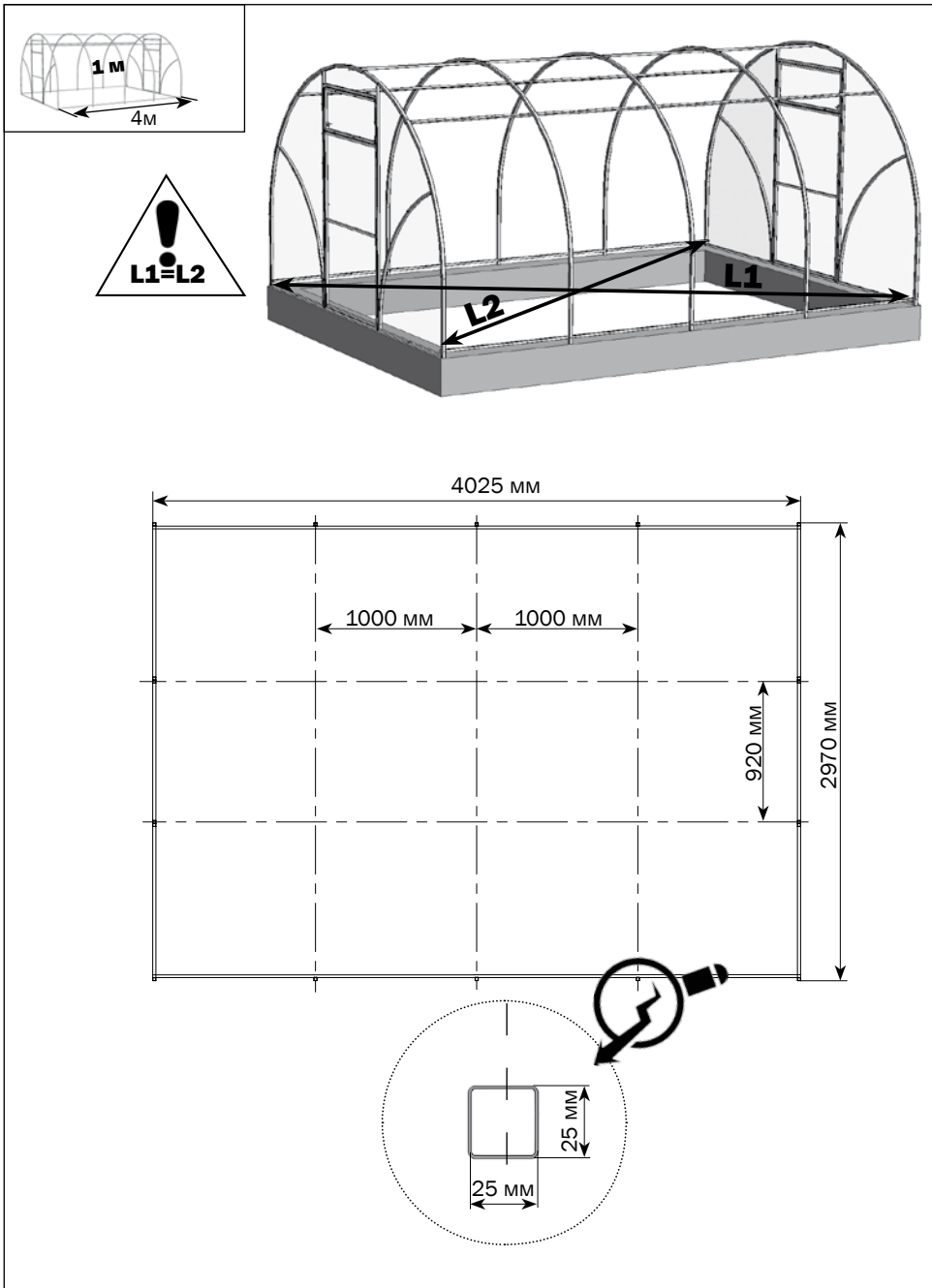
3.4



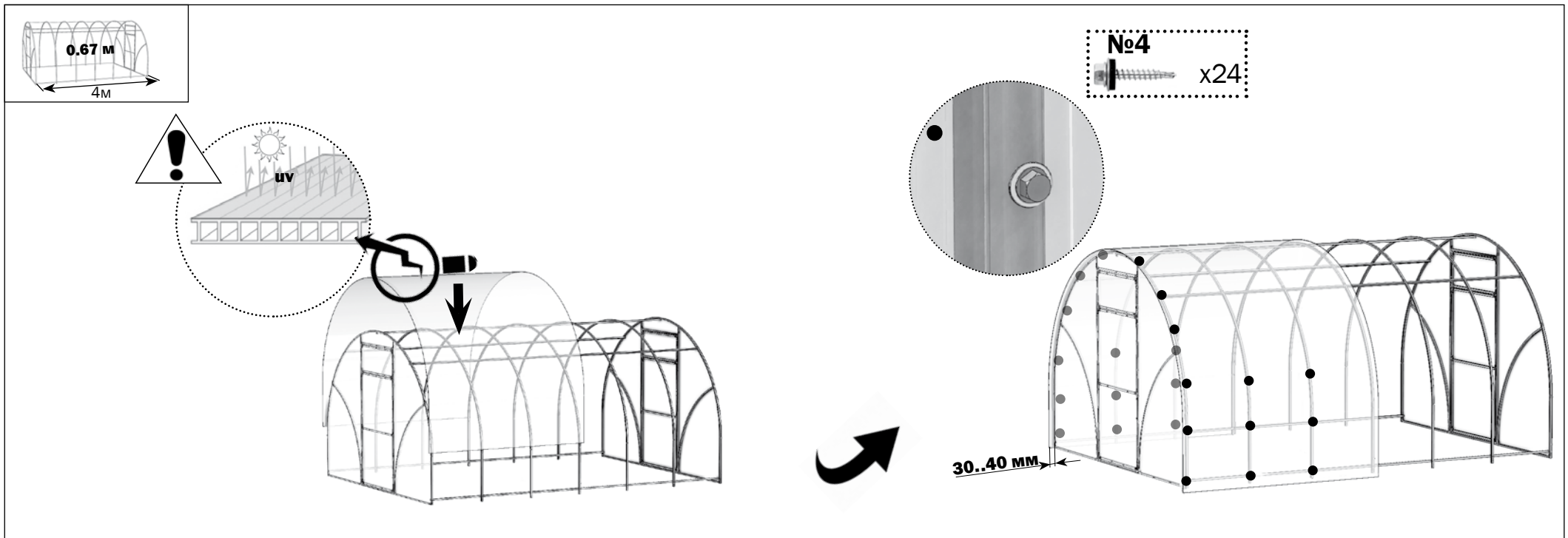
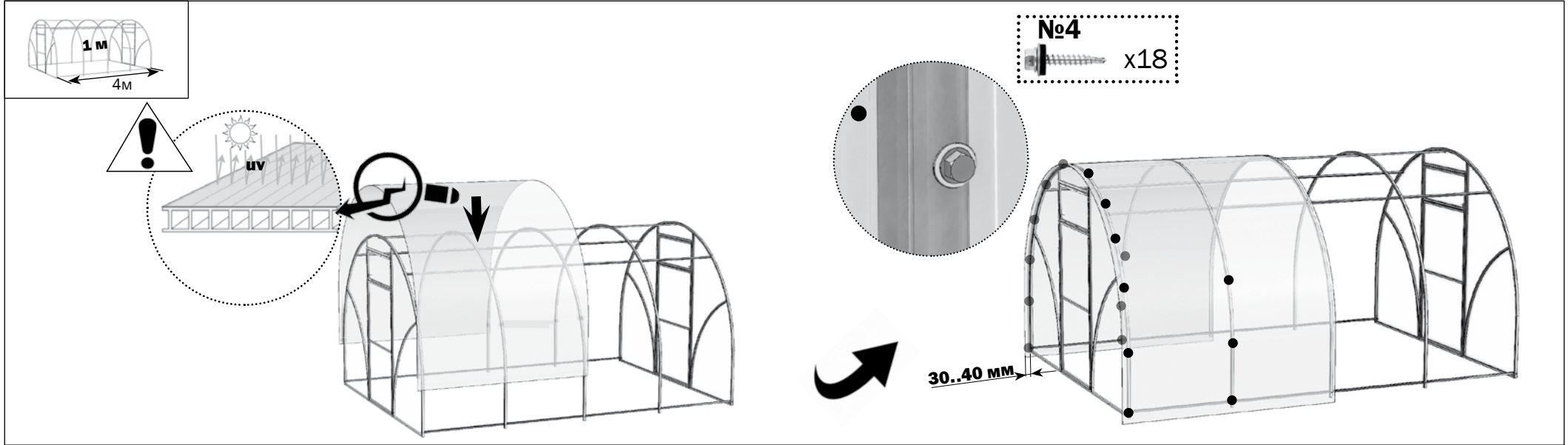
4.1



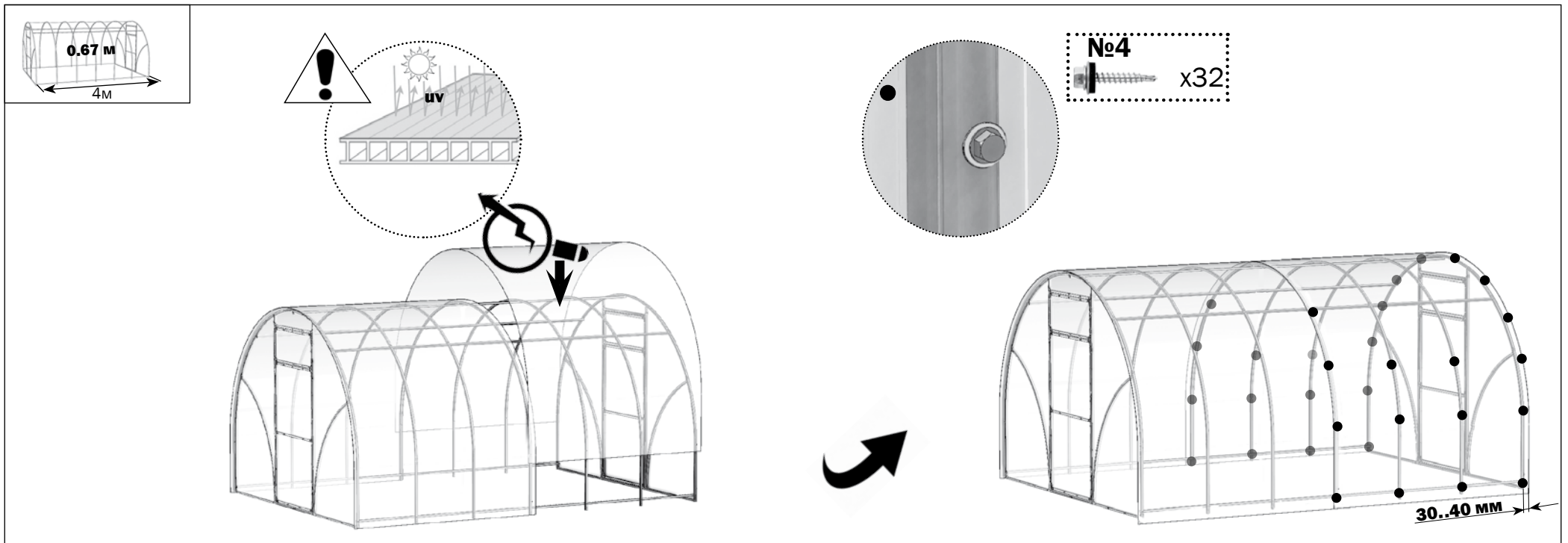
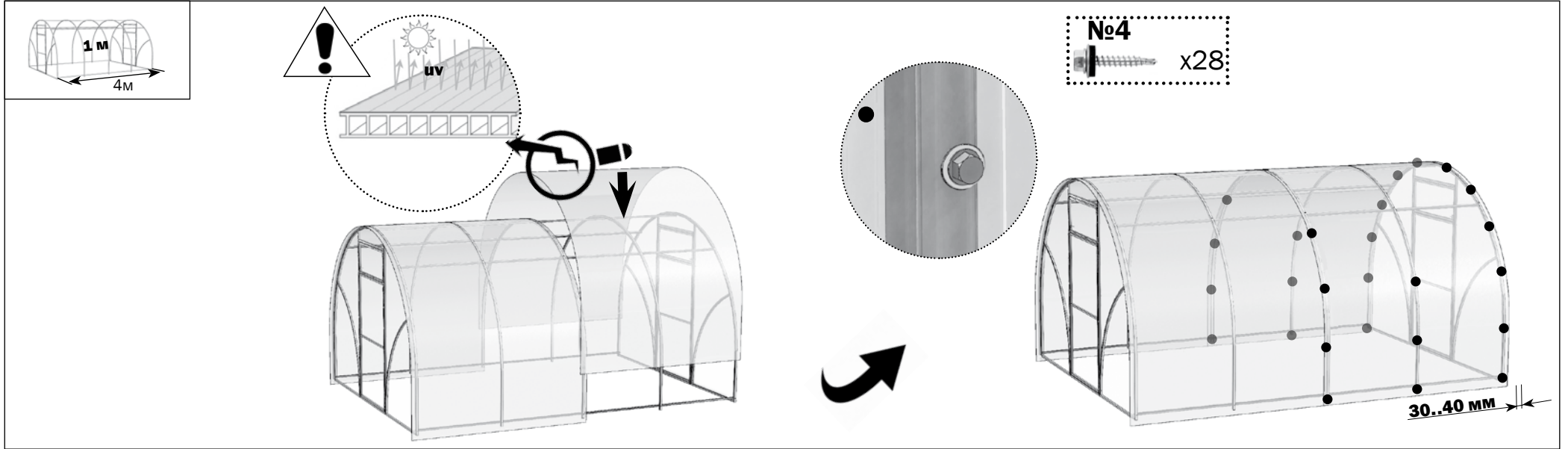
4.2



5.1



5.2



6

